

# Supplement

Title: 700BCW,700BCA I.S. Supplement Issue: 2  
Part Number: 606860 Issue Date: 4/03  
Print Date: August 1997 Page Count: 4  
Revision/Date:

---

---

This supplement contains information necessary to ensure the accuracy of the above Instruction Sheet.

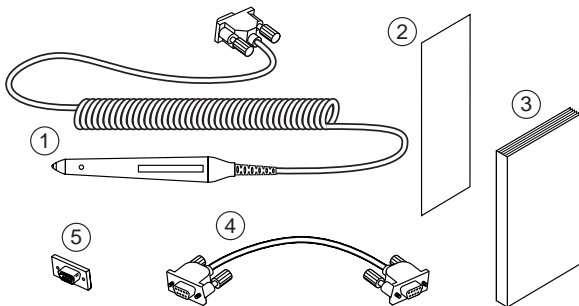
## Change #1

On the first page, under **Introduction**, replace the second paragraph with the following:

The Fluke-700BCA Bar Code Adapter is an adapter cable that is included with the Fluke-700BCW, or is available separately.

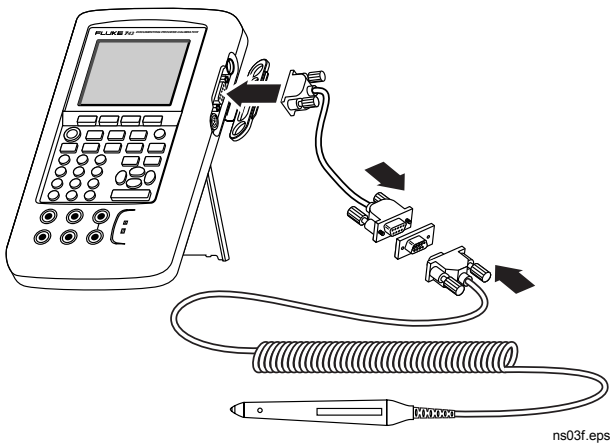
On the second page under **Box Contents**, replace the first paragraph and the illustration with the following:

Model Fluke-700BCW is supplied with a Welch Allyn SCANTEAM 6180 WAND (1) Fluke Instruction Sheet (2) Welch Allyn Programming Menu (3) adapter cable (Fluke-700BCA, pn 686607) (4), and a serial gender changer, pn 2003929 (5)



ns02f.eps

Under **Connecting the Wand**, replace the illustration with the following:



On page three, before the section on **Scanning a Bar Code**, add the following:

**Configuring the Bar Code Wand**

To configure the bar code wand for use, please refer to the Welch Allyn Scanteam 6180 Wand Programming Menu and follow these instructions:

1. Connect the barcode wand, gender changer and adapter cable to the Fluke-743 or 744 per the connection diagram.
2. Scan the ENTER bar code in the Programming Menu (page 7)
3. Find the Bar Code Chart (last page of Programming Menu).
  - a. Scan the bar code for Roman Numeral II, then scan B.
  - b. Scan the bar code for Roman Numeral III, scan C, then scan 0 (YES) two times.
4. Scan the EXIT bar code on page 7.

The bar code is now configured for use and should not need to be programmed again. If the bar code wand fails to operate, go to page 9 of the Programming Menu

and scan the ENTER, DEFAULT and EXIT bar codes and repeat the above instructions.

Under **Scanning a Bar Code**, delete the last sentence from the third paragraph.

Change the last paragraph:

From: When you get a successful scan, the green light.....

To: When you get a successful scan, the light.....

Delete the entire **Resetting the Wand** section.